



Hydrotech[®]

Motion Control Solutions

Innovative Ideas. Technical Expertise. Engineered Solutions.



DynaDrive Division

Automation Technologies

Distribution | Engineering | Integration | Service

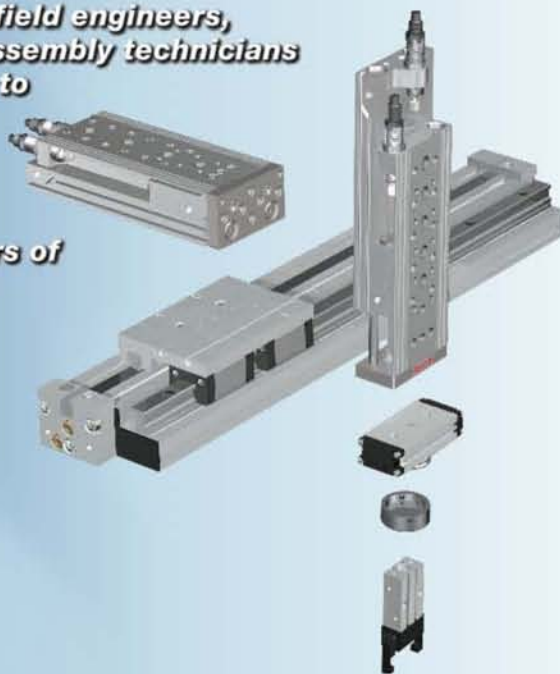
"If it moves, we can help."

DynaDrive's multi-million dollar inventory of fluid power, automation and motion control products and our commitment to extraordinary customer service have been pivotal to our success over the last forty-five years. To meet the rising expectations for productivity, you need a supplier who can provide results, not just products.



This is where our knowledge becomes essential. Our staff of professionals, including qualified field engineers, system engineers, software specialists, and assembly technicians can integrate our power and control products to deliver efficient and cost-effective results. Results that will help you outperform your competition.

DynaDrive's product offering brings many years of Automation and Motion Control experience.



DynaDrive Division

Automation Technologies



**“DynaDrive Motion Control Solutions®
Give life to your machinery and equipment.”**

DynaDrive Automation Technologies offers:

- Technical Sales
- Training & Design Services
- Customer Specific Stocking
- Application Support
- Pneumatic Products
- Servo Drives & Controls
- Linear Motion & Assembly
- Supporting the following brands

Rexroth
Bosch Group

TECHNOLOGY GROUP
mk®

NASON
NEW THINKING

marathon®
electric

Lexair, Inc.

YASKAWA
The Drive for Quality™


WITTENSTEIN alpha


canfield connector


**SPARTAN
SCIENTIFIC**

Check our website for more detail.
www.hydrotechautomation.com

Hydrotech® is a fluid power/motion control distributor and solutions provider operating in Ohio, Kentucky, and portions of West Virginia and Indiana.

Does Your Solutions Provider Do All This?

Automation Technologies

Our Automation group provides engineering design assistance and technical support for all your automation & control needs. Products include linear bearing systems, gantry style robotic systems with HMI interfaces, and a full line of servos and controls. Our mission is to optimize motion control systems for the best time, cost, and lifecycle management. We can also provide project design and assembly for modular framing structures.

Standard & Custom Power Unit Systems

Hydrotech provides horizontal, horizontal JIC, vertical, overhead, L-style, or other custom power units with special design reservoirs, valves and accessories installed and piped. Rexroth Standard systems to 100 gpm. Complete turnkey central and custom units with flow to 9,000 gpm and pressure to 10,000 psi with world-class engineering for low noise. We also provide AC and DC power units, AC miniature power units, and DHP power packs.

Engineering, Installation, Start-Up & Assembly

Hydrotech designs using 3D cad software, builds, installs, and does start-up on all hydraulic, pneumatic, lubrication, and motion control systems regardless of where purchased, using fully qualified tech teams. Our trucks feature on-board generators and a full stock of materials to set up shop anywhere. Trucks are outfitted to plumb up to 2" seamless steel and stainless steel tubing on flared, bitetype, or face seal type connections. We also cut and crimp up to 2" high pressure hose.

Field Service & Repair

Factory trained technicians available 24/7 for troubleshooting, fluid analysis, and sampling on-site repair services, field upgrades and retrofitting, or high pressure plumbing services. We repair any manufacturer's hydraulic component, fully tested to specifications, and meet your operating requirements. We are authorized Rexroth and Lincoln Industrial repair centers. On-site telescopic cover repair. Specialists in piston pump/motor, servo, and valve repairs.



10052 Commerce Park Drive Cincinnati, Ohio 45246-1338
513-881-7000 fax 513-881-7010

Columbus 614-895-3104 fax 614-895-3134	Akron/Cleveland 330-923-4853 fax 330-923-5760	Dayton 513-881-7000 fax 513-881-7010	Louisville 502-231-2228 fax 502-231-2422
---	--	---	---

Cuyahoga Falls

135 East Ascot Lane P.O.Box 4050 Cuyahoga Falls, Ohio 44223-4050
330-923-4853
fax 330-923-5760

DynaDrive Division 330-920-6290

Phone 800-891-4650

Order On-line at <http://www.hydrotech.com>

Connect with Hydrotech online:



ISO9001:2008
Certificate No. 4297